

LOAD CENTER
VOLTAGE: 240/120V
SERVICE FEEDER SIZE: 3-#4/0 & 1-#4 GROUNDING CONDUCTOR

Circuit No.	Circuit Breakers Poles	Amps	200 AMP Main Service Breaker	Wiring No./ Size
1,3	2	50	220 Volt Outlet (Welder)	3-#6
2,4	2	30	220 Volt Outlet (Air compressor)	3-#10
5,7	2	20	Water Pump	3-#12
6,8	2	30	Water Heater	3-#10
9,11	2	40	Outside Unit	3-#8
10,12	2	60	Spare Breaker	
13,15	2	30	Spare Breaker	
14	2	20	Shop Receptacles w/ GFI protection	3-#12
16	2	20	Shop Receptacles w/ GFI protection	3-#12
17	1	20	Work Shop General Lighting	3-#12
18	1	20	Exit Lighting	3-#12
19	1	20	Utility GFI Receptacles	3-#12
20	1	20	Office, Restroom, Mech Lighting & Washer recept	3-#12
21	1	20	Implement Storage Lighting	3-#12
22	1	20	Implement Storage Receptacles	3-#12
23	1	20	Implement Storage Receptacles	3-#12
24	1	20	Office Receptacles	3-#12
25	1	20	Office Receptacles	3-#12
26	1	20	Break, Restroom GFI Receptacles	3-#12
27	1	20	Mechanical Room GFI Receptacle/ Microwave	3-#12
28	1	20	Shop Exterior GFI Receptacle	3-#12
29	1	20	Septic Tank alarm	3-#12
30,32	2	30	Mechanical room Dryer receptacle	3-#10
31	1	20	Inside Air Handler/ Furnace	3-#12
33			Spare Breaker	
34-40			Spare Spaces	

ELECTRICAL WIRING SYMBOLS

- ⊖ GFI Receptacle
- ⊕ Duplex Outlet, Split Circuit
- ⊖ Duplex Outlet
- ⊖ 50 Amp, 220 Volt Outlet
- ⊖ 30 Amp, 220 Volt Outlet
- ⊖ 30 Amp, 220 Volt Outlet (Dryer)
- ⊖ Home Run/ Circuit #
- ⊖ Water Heater
- ⊖ Telecommunications Outlet
- ⊖ Junction Box
- ⊖ Photo Cell
- ⊖ Exit Lighting w/ batteries
- ⊖ Switch
- ⊖ Switch, 3 Way
- ⊖ Switch, 4 Way
- ⊖ Pressure Switch
- ⊖ Water Pump

RECEPTACLE & SWITCH MOUNTING HEIGHTS

Microwave	66"
Washer	36"
Dryer	36"
Office Receptacles and Telephone	18"
All switches and other receptacles	48"

MARK	QTY	LIGHTING SCHEDULE	MODEL
A	0	16.75" x 4" Surface Mount, 4 Lamp Elec. Ballast, 15	LITHONIA SB452MVOLTCB1015
B	4	2' x 4' LED Panel	SINKAR LDP2450L40UJ
C	11	15.25" x 22" 4 LAMP LED HIGH BAY	LITHONIA EB1500CLM 90080 MP 0210 40K 80 CR
D	1	2' Fluorescent wall mount	LITHONIA 11890RB
E	3	Security motion, Wall Mount/ Outside Unit	HEATH ZENITH SL-5630-BZ
F	3	Exit & Emergency combo light w/ batteries & remote head	LITHONIA ECRLEPHO M6 w/ ELALED WP M12

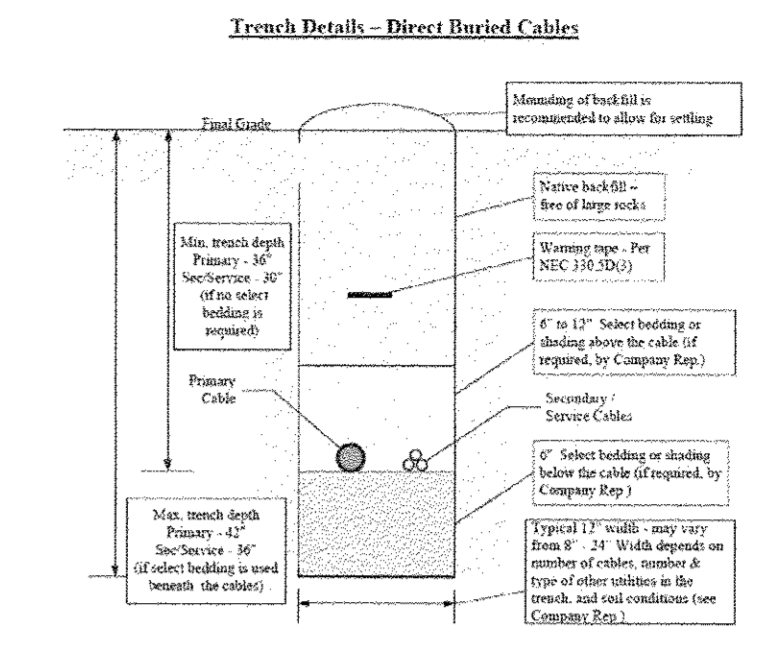
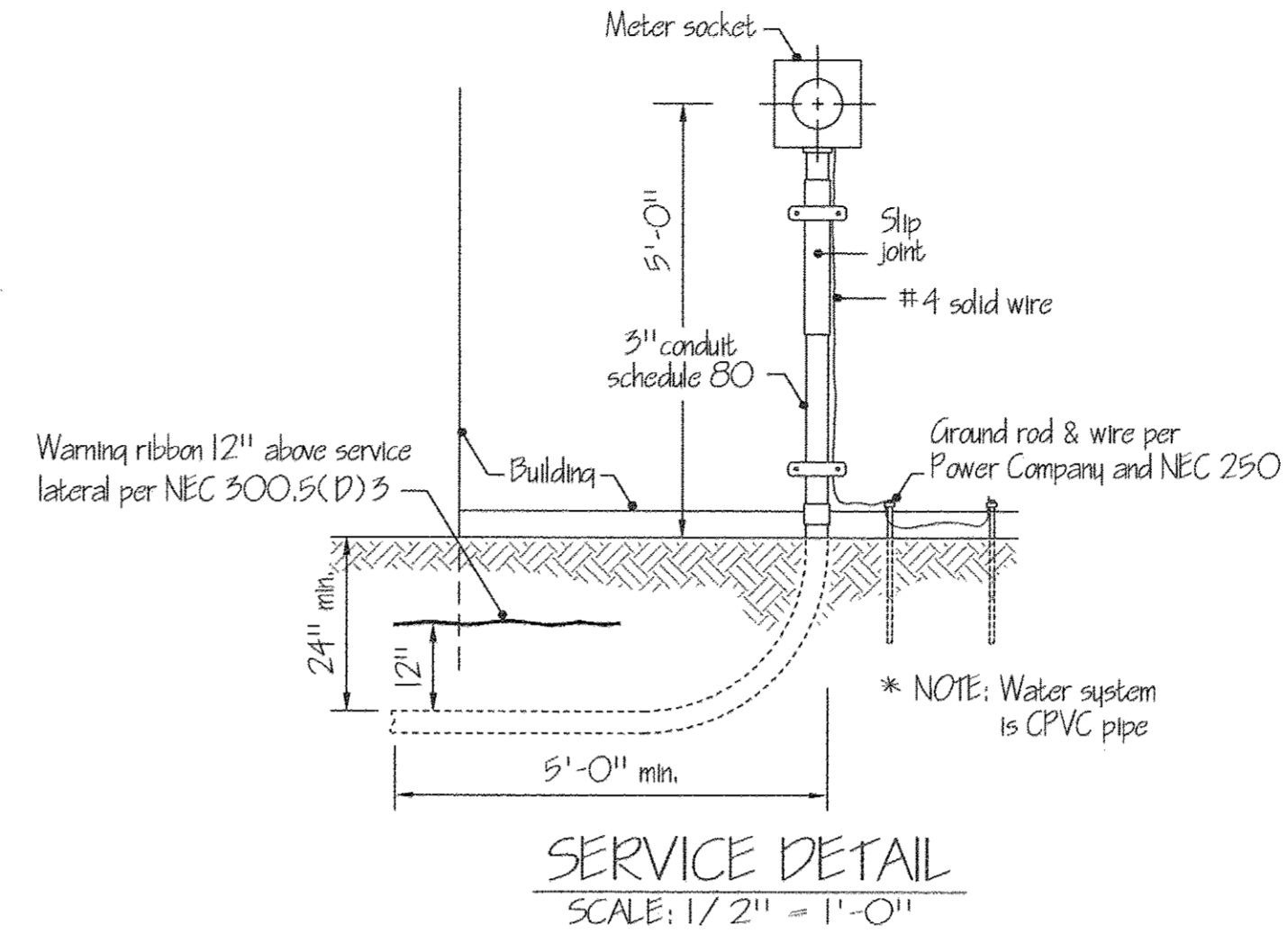


TABLE - MINIMUM COVER REQUIRED PER CODE (INCHES)

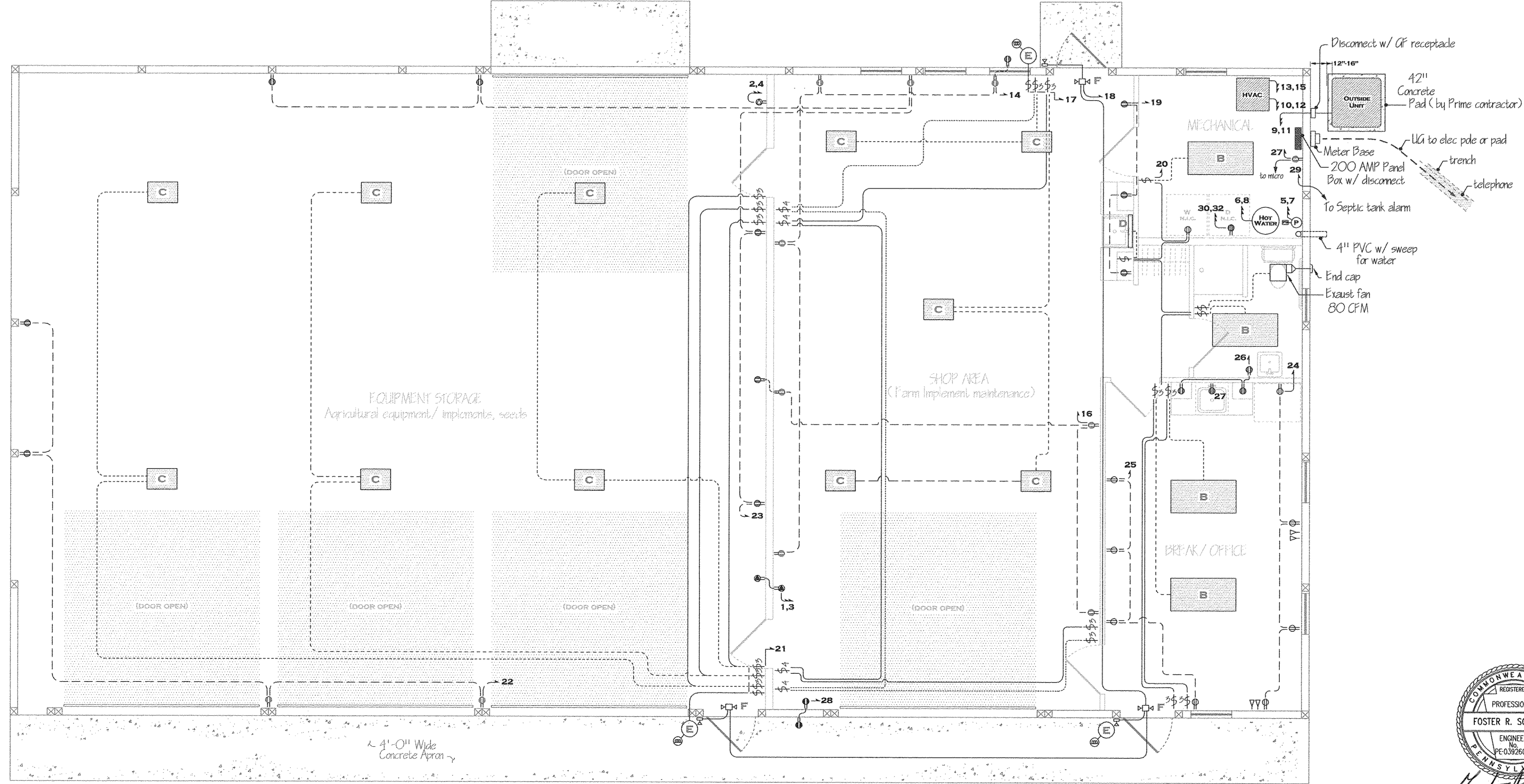
Voltage / Code	Direct Buried	Rigid Metallic Conduit (RMC)	Rigid Nonmetallic Conduit (RNC)	Street / Road Parking Lot	Company / NESC
0 - 480V	24	18	18	24	24
> 480V - 22 kV	30	6	18	24	30
> 22 kV - 49 kV	36	6	24	24	30

NOTES: (1) FECC typically requires an additional 6 inches of cover to allow the vaulting in final grade.
(2) For cables located beneath roads under Penn DOT jurisdiction, cables must be installed in conduit and have a minimum of 36 inches of cover.

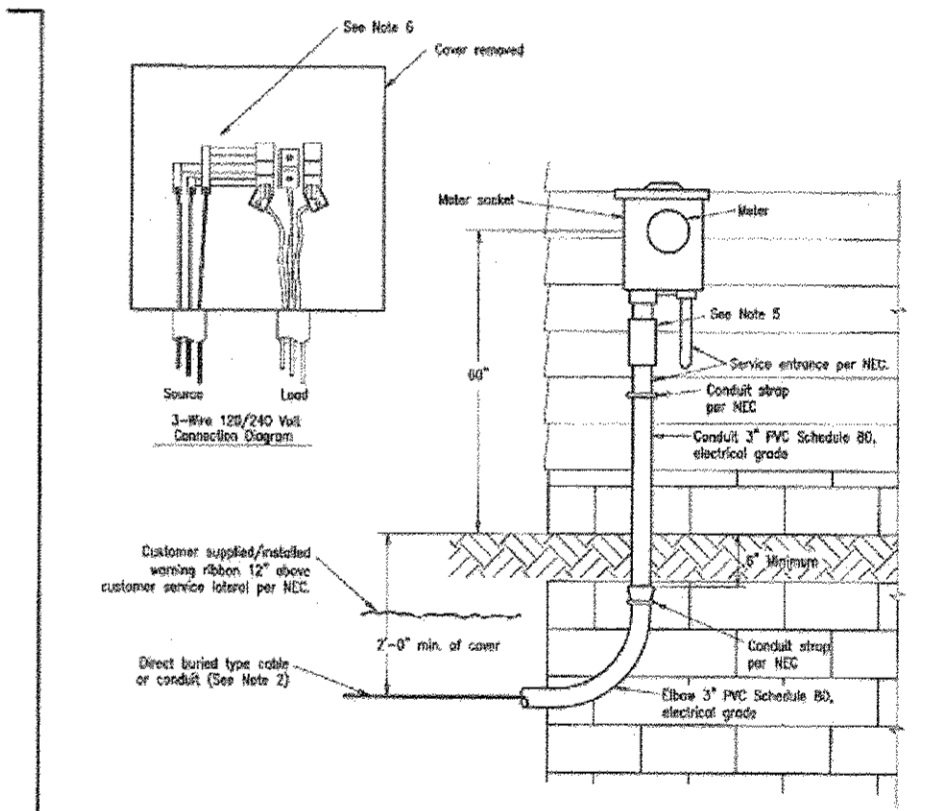
TRENCH DETAILS FOR DIRECT BURIED CABLES

Service Guide	11/05
EXHIBIT 23	11/05

* Match receptacle to welder



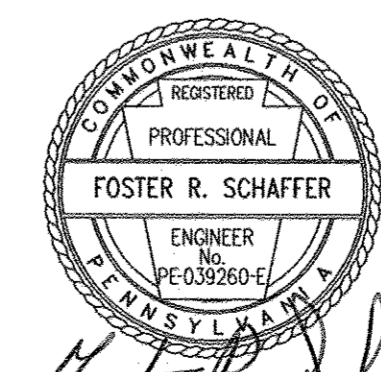
PLAN VIEW
SCALE: 1/4" = 1'-0"



- NOTES:
- For customer/Company responsibilities, see Exhibit 1.
 - For trenching and conduit details, see Exhibit 24.
 - See Section 6.0 for underground service details.
 - Meter socket may be connected to external ground rods, if required by the local inspection authorities.
 - The customer shall provide a well tamped and firm trench (see Exhibit 24). The customer shall provide ground movement protection per NEC 300.30 to prevent damage due to settlement or frost heaves. The Company recommends that the customer use a slip-joint conduit product. Additionally, sufficient slack or a slack box should be provided by the customer to allow for cable movement. For a 3-inch dia. conduit installation, the Company recommends that the customer install a slip joint with an attached slack box.
 - Side-bussed meter socket only.

TYPICAL SINGLE-PHASE UNDERGROUND SERVICE LATERAL INSTALLATION 400 AMP OR LESS

Service Guide	11/05
EXHIBIT 8	11/14



Foster R. Schaffer
8/17/16

PENNSYLVANIA GAME COMMISSION

STATE GAME LANDS #245	EAST PINLEY TWP.	WASHINGTON CO.
ELECTRIC DETAILS		
REVISIONS	PROJECT NO.	PGC-245-18-2
	DRAWING NO.	245-ELECTRIC-3
	DRAWN BY:	JPM
	DATE:	08-03-18
	SHEET NO.	3 OF 5